

MELANCON BALL VALVES

FULL PORT - M78SW3 Series

- * **3600 psi, WOG, 316 S.S.**
Welded End for Added Safety
The valve body **CANNOT** be unscrewed.

- * **3705 psi, WOG, WCB Carbon Steel**
WCB with 316 S.S. Ball & Stem

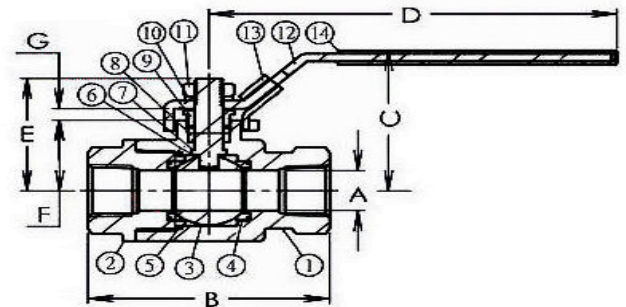
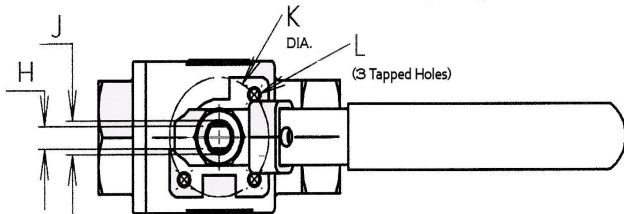
Sizes: 1/4" - 2" In Stock



Standard Features

1. **Wall thickness according to AMSE B16.34, ANSI 1500 Class**
2. **3600 psi, WOG Rating on 316 SS (CF8M)**
 * **3705 psi, WOG Rating on Carbon Steel**
3. **NACE MR-0175 Compliant**
4. **Fire Safe tested to API 607, 5th Edition**
5. **ISO 5211 Mounting Pad for Actuator**
6. **Lever Locking Handle**
7. **Blow - Out Proof Stem, Floating Ball**
8. **Tested to API 598**
- * 9. **Welded End for Added Safety**
- * 10. **Valves also available in 2000 & 6000 psi.**

Parts	Material
1. BODY	CF8M or WCB
2. CAP	CF8M or WCB
3. BALL	CF8M
4. BALL SEAT	3600 DELRIN / 6000 PEEK
5. JOINT GASKET	GRAPHITE
6. STEM	316 S.S. or 17- 4 PH (1-1/2", 2")
7. THRUST WASHER	DELRIN
8. STEM PACKING	GRAPHITE
9. GLAND NUT	304 S.S.
10. SPRING WASHER	304 S.S.
11. STEM NUT	304 S.S.
12. HANDLE	304 S.S.
13. LOCKING DEVICE	304 S.S.
14. HANDLE COVER	PLASTIC



SIZE	MELANCON	A	B	C	D	E	F	G	H	J	K	L	ISO 5211	Weight	Cv	Max Torque
1/4" FP	M14 - 78SW3	0.25	3	2.22	5	1.64	1	0.18	0.195	0.311	1.42	1/4-20 UNC	F03	1.58	10	75 in - lbs
3/8" FP	M38 - 78SW3	0.38	4	2.23	5	1.64	1	0.18	0.195	0.311	1.42	1/4-20 UNC	F03	1.71	14	75 in - lbs
1/2" FP	M12 - 78SW3	0.50	4	2.22	5	1.64	1	0.18	0.195	0.311	1.42	1/4-20 UNC	F03	1.84	16	75 in - lbs
3/4" FP	M34 - 78SW3	0.75	4.3	2.89	5.83	2.13	1.32	0.21	0.274	0.436	1.65	1/4-20 UNC	F04	3.05	32	120 in - lbs
1" FP	M1 - 78SW3	1.00	4.8	3.50	8.19	2.81	1.76	0.28	0.374	0.559	1.97	1/4-20 UNC	F05	5.26	62	400 in - lbs
1-1/2" FP	M112-78SW3	1.50	5.3	4.34	10.2	3.85	2.5	0.34	0.392	0.623	2.76	5/16-18 UNC	F07	10.60	140	750 in - lbs
2" RP	M2 - 78SW3	1.50	6.3	4.34	10.2	3.85	2.5	0.34	0.392	0.623	2.76	5/16-18 UNC	F07	13.00	120	750 in - lbs

www.MelanconEnergy.com

sales@MelanconEnergy.com



281 . 277 . 5300

281 . 277 . 5303 Fax

(over)